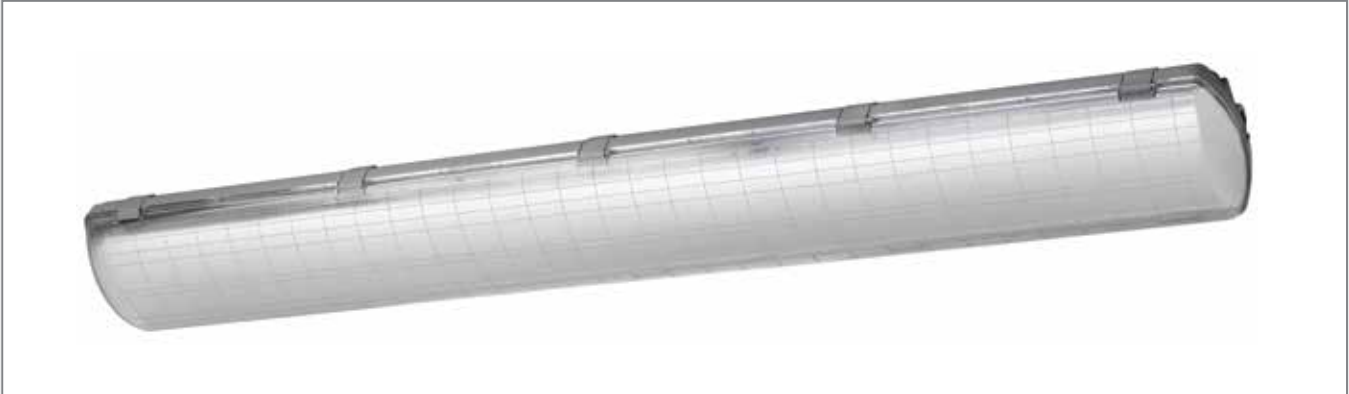




## FW4-LED80W

**LED**



*The FW4-LED80W is the next generation of our standard FWT5HO fluorescent series. The FW4-LED80W uses the same housing and tool-less entry clips. The FW4-LED80W can be used as a direct replacement. The 80W LED will replace two 52WT5HO lamps. The LEDs are available as 4100k as standard. For 3000k and 5000k please consult factory.*

**HOUSING** Polycarbonate, UV stabilized. Conduit entries at either end.

**LENS** Polycarbonate, UV stabilized, and is retained to the housing with ten clips.

**REFLECTOR** Flat aluminum reflector system with a white powder coat paint finish. LED boards are secured to the reflector using a clip and lock system.

**ELECTRICAL** Each unit has four high efficiency LED boards and high efficiency drivers operated 100V - 277V, 50-60HZ. Dimming capabilities standard (0-10V), step dimming available. L70 up to 100,000

**MOUNTING** Standard unit comes with surface mount configuration.

**VOLTAGE** 3-wire, solid type 18awg, pre-stripped leads for quick in-field connection and hot load disconnect feature.

NOT FOR USE IN CAR-WASH FACILITIES

**LUMENS** 6402

**DIMMING** 0-10V dimming is standard, step dimming available as an option.

**OPTION** Stainless steel clips

**OPERATING TEMPERATURE** -40°C TO 40°C

**POWER FACTOR**

**RATING IP65** 0.995

**WARRANTY** 5 year warranty.

**MEETS LM-79, LM-80**

**cUL Approved**

[www.rabdesign.ca](http://www.rabdesign.ca)

# Catalog Code

**FW4-LED80W**

4100k, 3000k\*, 5000k\*,

LED

120-277,120-277SD, 347

VOLTAGE

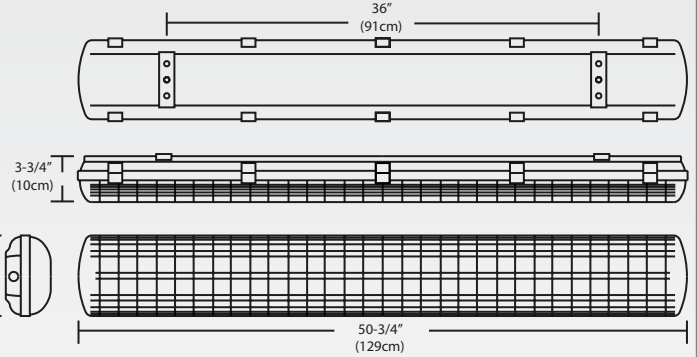
S/S - STAINLESS STEEL CLIPS

OPTION

\*CONSULT FACTORY

\*STEP DIMMING

# Dimensions



# Photometrics

IESNA-LM-63-2002  
 [TEST] J016C  
 [TESTLAB] Lumentra, Inc.  
 [MORE] 160 Frobisher Drive, Unit 5  
 [MORE] Waterloo, Ontario  
 [MORE] NVLAP LAB CODE 500084-0  
 [ISSUE DATE] 10-08-2014  
 [MANUFAC] RAB DESIGN LIGHTING INC.  
 [MORE] TORONTO, ONTARIO  
 [LUMCAT] FW4-LED80W  
 [LUMINAIRE] RAB DESIGN 4 FT LED VAPOUR PROOF LUMINAIRE  
 [MORE] WITH WHITE REFLECTOR AND LINEAR PRISMATIC TRANSLUCENT LENS  
 [LAMP] SIX RAB LED STRIPS (1487-40-18) (26 LEDS EACH). LUMEN OUTPUT = 6402 LUMENS.  
 [OTHER] ABSOLUTE PHOTOMETRY  
 [ VOLTAGE] 120 VRMS  
 [ CURRENT] 0.524 ARMS  
 [ WATTAGE] 62.55  
 [ PF] 0.995  
 [ LUMENS] 6402  
 [ EFFICACY] 102.4

### LUMINANCE DATA (cd/sq.m)

Angle In Degrees	Average 0-Deg	Average 45-Deg	Average 90-Deg
45	8822	7853	7812
55	8066	7021	7089
65	7062	6139	6439
75	5428	5195	5794
85	2289	4460	5465

### ZONAL LUMEN SUMMARY

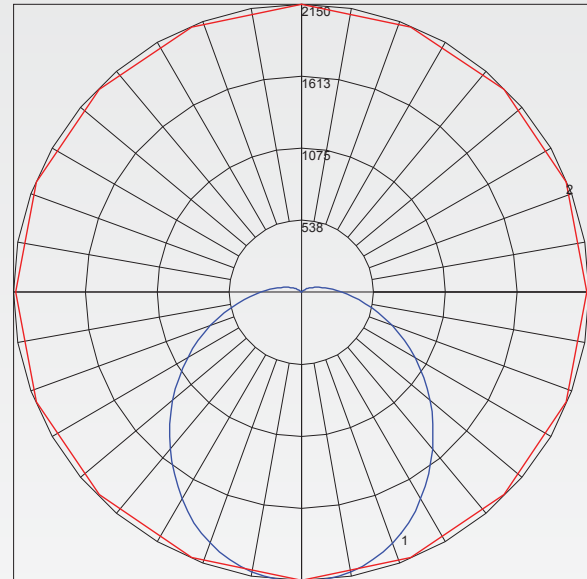
Zone	Lumens	%Lamp	%Fixt
0-20	780.01	N.A.	12.20
0-30	1640.91	N.A.	25.60
0-40	2654.35	N.A.	41.40
0-60	4618.36	N.A.	72.10
0-80	5856.91	N.A.	91.40
0-90	6131.8	N.A.	95.70
10-90	5929.1	N.A.	92.50
20-40	1874.34	N.A.	29.20
20-50	2906.27	N.A.	45.30
40-70	2704.8	N.A.	42.20
60-80	1238.54	N.A.	19.30
70-80	497.75	N.A.	7.80
80-90	274.89	N.A.	4.30
90-110	219.60	N.A.	3.40
90-120	256.42	N.A.	4.00
90-130	272.04	N.A.	4.20
90-150	277.56	N.A.	4.30
90-180	277.64	N.A.	4.30
110-180	58.04	N.A.	0.90
0-180	6409.43	N.A.	100.00

Total Luminaire Efficiency = N.A.%

### ZONAL LUMEN SUMMARY

Zone	Lumens
0-10	202.70
10-20	577.31
20-30	860.90
30-40	1013.45
40-50	1031.92
50-60	932.09
60-70	740.79
70-80	497.75
80-90	274.89
90-100	143.90
100-110	75.70
110-120	36.82
120-130	15.61
130-140	4.85
140-150	0.67
150-160	0.07
160-170	0.00
170-180	0.00

### POLAR GRAPH



Maximum Candela = 2150 Located At Horizontal Angle = 90, Vertical Angle = 2.5  
 # 1 - Vertical Plane Through Horizontal Angles (90 - 270) (Through Max. Cd.)  
 # 2 - Horizontal Cone Through Vertical Angle (2.5) (Through Max. Cd.)

### COEFFICIENTS OF UTILIZATION - ZONAL CAVITY METHOD

Effective Floor Cavity Reflectance 0.20

RC	80			70			50			30			10			0		
	70	50	30	10	70	50	30	10	50	30	10	50	30	10				
0	118	118	118	118	115	115	115	115	109	109	109	103	103	103	98	98	98	96
1	107	101	97	93	103	99	94	91	94	90	87	89	86	83	85	82	80	78
2	97	88	81	75	94	86	79	74	81	76	71	77	73	69	74	70	67	64
3	88	77	69	62	85	75	67	61	72	65	59	68	63	58	65	60	56	54
4	81	68	59	52	78	67	58	52	64	56	51	61	54	49	58	53	48	46
5	74	61	52	45	72	60	51	45	57	49	44	55	48	43	52	47	42	40
6	68	55	46	39	66	54	45	39	51	44	38	49	43	38	47	42	37	35
7	63	50	41	35	61	49	40	34	47	39	34	45	38	33	43	37	33	31
8	59	45	37	31	57	45	36	31	43	36	30	41	35	30	40	34	29	27
9	55	42	33	28	54	41	33	28	39	32	27	38	32	27	37	31	27	25
10	52	39	31	25	50	38	30	25	37	30	25	35	29	24	34	28	24	22